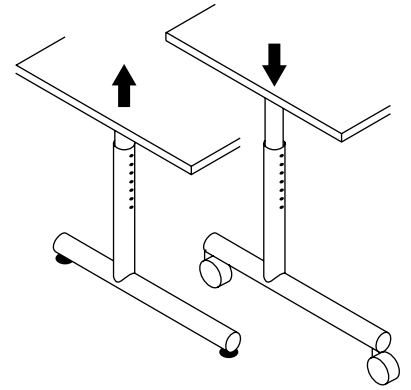


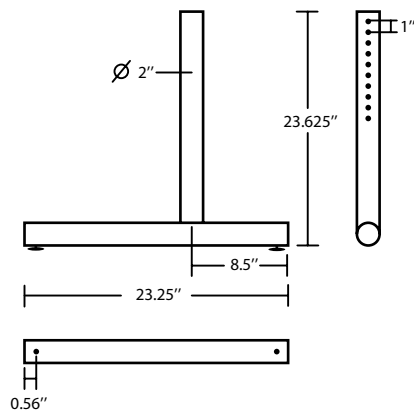
## Technical information

### Height adjustable tubular legs (Genius price list)

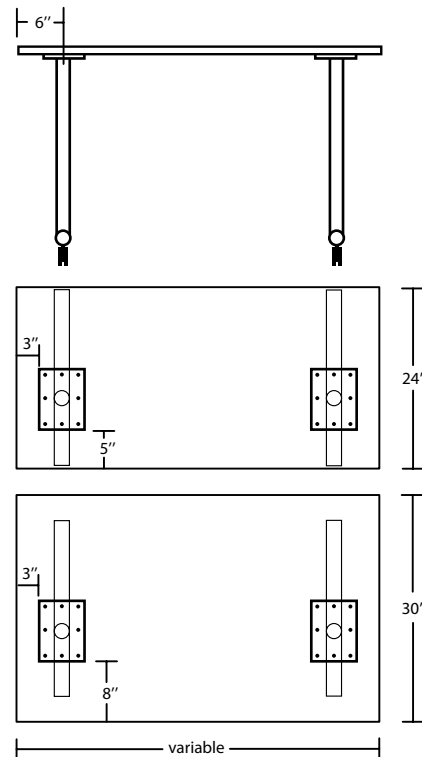
- Lower tube 2" in diameter (Top tube 1 3/4" in diameter).
- "C"-shaped asymmetrical design.
- Height adjustment of 23" to 32" when equipped with levels.
- Height adjustment of 26" to 35" when equipped with casters.
- Height increment of 1".
- Leg has a silver finish.
- Leveler has a black finish (Base diameter: 1 1/16").
- Caster has a black and silver finish (Diameter: 75mm).



Lower part



Leg position



Upper part

