

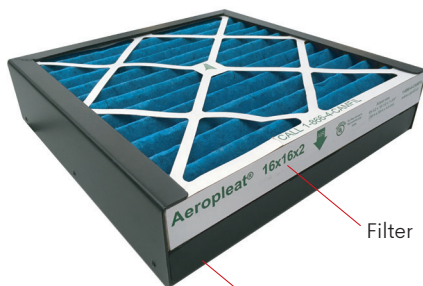
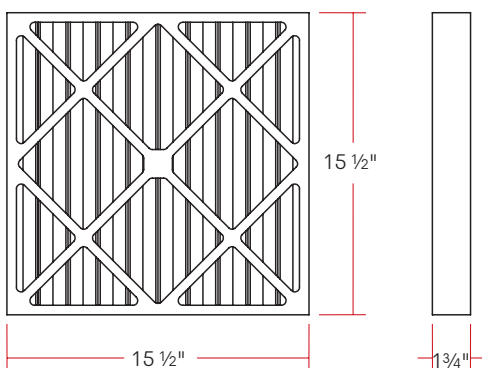
# Mute Box™

TECHNICAL SHEET

## Specifications:

- Overall dimensions: 15 ½" x 15 ½" x 1 ¾" high
- MERV 8 classified in compliance with the ASHRAE 52.2 Standard
- UL 900 classified
- 90% efficiency on particles that are 3 to 10 micrometers in size
- Air flow capacity (CFM): 890 pi3/min.
- Initial resistance (po c.e.): 0.25
- Maximum recommended pressure drop (po c.e.): 1 (can ensure an integrity of 2 in. without failure)
- Replacement frequency: 3 to 6 months
- Elements that can be filtered:
  - Pollen
  - Dust mites
  - Textile fibers
  - Carpet fibers
  - Plant spores
  - Dust / lint
  - Pet dander
  - Human hair
  - Large smog particles
  - Large mold spores
  - Large allergens

## Technical drawing:



Air filtration system for the Mute Box

# Solo & Collab

## Replacement filter: MB-FRX1 air filtration system

